

NOTES:

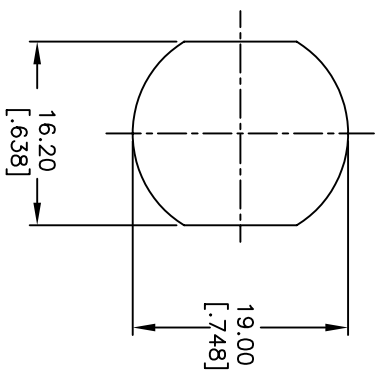
1. ALL DIMENSIONS IN MM [INCH]
2. GENERAL TOLERANCE: X.X=±0.4
X.XX=±0.25
3. TERM. NOS. FOR REF. ONLY
4. CONTACT RATING: 4A @125VAC/28VDC, 2A @250VAC
5. DIELECTRIC STRENGTH: 1KV RMS min. at sea level
6. ELECTRICAL LIFE: 10,000 make-and-break cycles at full load.
7. MATERIALS:
CONTACTS: Silver Plated Cu (Q Contact material)
TERMINALS: GOLD Plated Cu (Q Contact material)
MOUNTING NUT: Nickel Plated zinc alloy
CONTACT SPRING: Piano Wire
KEYS: Brass with code no. A126
LOCK: Bright Ni plated zinc alloy with NI facing
TUMBLER Mechanism: 4-disc tumbler cylinder.
▲ 8. USES E-Switch Part NO. K200223 KO130N-A126
▲ 9. PACKAGING: PACKAGE BULK W/25 LOCKS AND 25 KEYS IN BOX.

LEGEND

- =Detent Positions (45° or 90°)
- ⊙ =Key pull possible in these positions

CIRCUIT: SP (90° INDEXING)
CONTACT CONFIGURATION

CONNECTED TERMINAL #	SWITCH FUNCTION
POS. 1	POS. 2
8-1	1-3



(B)

REV.	ECN No.	DESCRIPTION	DATE	CHKD	TITLE	SCALE	DATE	DR	DWG	REV
B	13912	ADD SPECIAL PACKAGING NOTE	4/14/04	AR	K0130N-A126 WIRE LEAD	1.5:1	7/30/02	RC	K200273	B
A	12461	RELEASED FOR PRODUCTION	10/4/02	RC						
THE INFORMATION CONTAINED IN THIS DOCUMENT IS PROPRIETARY TO E-SWITCH AND IS NOT TO BE COPIED OR TRANSFERRED										

